

User manual

version 1.2

DALIpwm



PWM dimmer

Control by DALI or SwitchSet

Suitable for LED strip dimming

Input voltage 10 – 24V

Maximum load 5A

Output level and malfunction
signalization

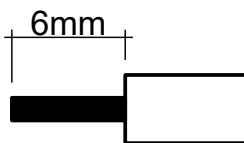
Communication signalization

DIN rail installation (1 module)

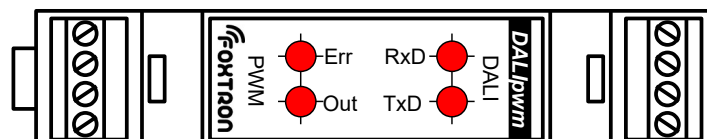
Overload / short circuit protection

| Technical specification | | |
|-------------------------------|---|-----------------|
| Control options | DALI, SwitchSet (voltage control ~230V) | |
| Way of dimming | PWM (distinction 14bit – 16384 dimming steps) | |
| Operating frequency | 500 | Hz |
| Supply voltage | DC 10 – 24 | V |
| Maximum output current | 5 | A |
| Wire cross section | 0,08 – 1,5 | mm ² |
| Degree of protection | IP20 | |
| Ambient operating temperature | 0 ÷ 50 | °C |
| Storage temperature | -10 ÷ 70 | °C |
| Weight | 50 | g |
| Galvanic isolation DALI | SELV | |

Wire preparation:

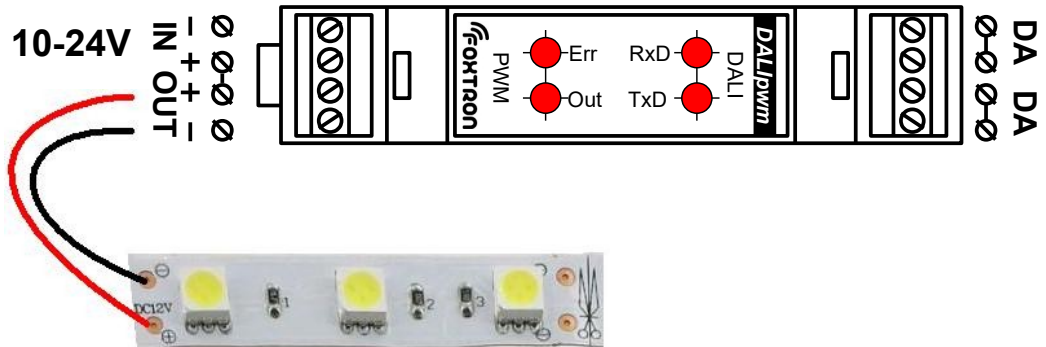


| Signalization | |
|---------------|---|
| Out | Output level (fluent dimming) |
| Err | off– correct dimmer function 1 flash – short circuit (overload) on output terminals 2 flashes – undervoltage (lower than 10V) 3 flashes – disconnection of thermal fuse permanent flashing – malfunction of switching element |
| RxD | Received command on DALI bus |
| TxD | Sent reply on DALI bus |



Terminals connection

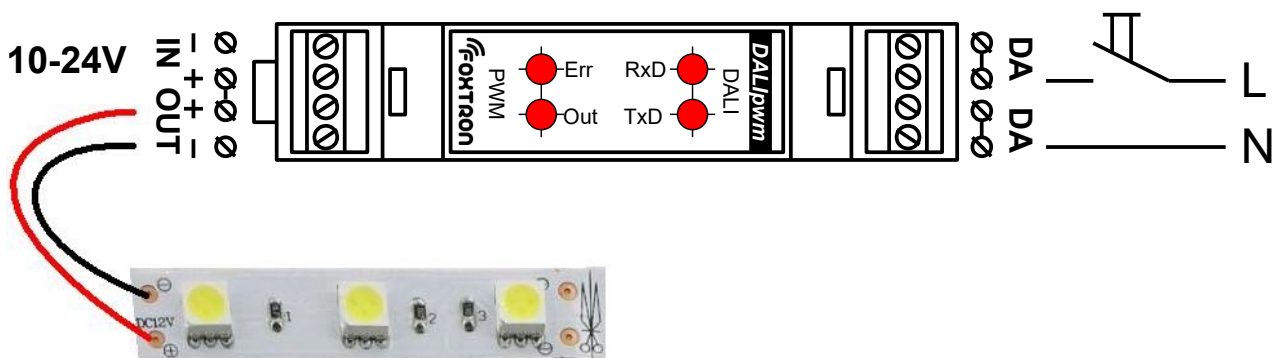
Control by DALI bus



Terminals description

| | |
|-----|---|
| DA | Connection of DALI bus (polarity does not matter) |
| IN | Voltage 10-24V DC |
| OUT | output 10-24V with PWM regulation |

Control by SwitchSet



Terminals description

| | |
|-----|-----------------------------------|
| DA | control voltage ~230V |
| IN | Input voltage 10-24V DC |
| OUT | output 10-24V with PWM regulation |

| <i>SwitchSet</i> | | |
|--------------------------------------|-----------------------|--|
| <i>Control</i> | <i>Default status</i> | <i>Function description (new status)</i> |
| Short press | Off | Will switch on to the selected value. Value is selected by long press. |
| | On | Off |
| Long press (pressing and holding) | Off | Slowly lighting up. Fade time to maximum value is approx. 3s. |
| | On | Slowly dimming or lighting up. Dimming or lighting up is alternated with every other long press. Fade time to maximum level is approx. 3s. |

Dimensions (mm)

