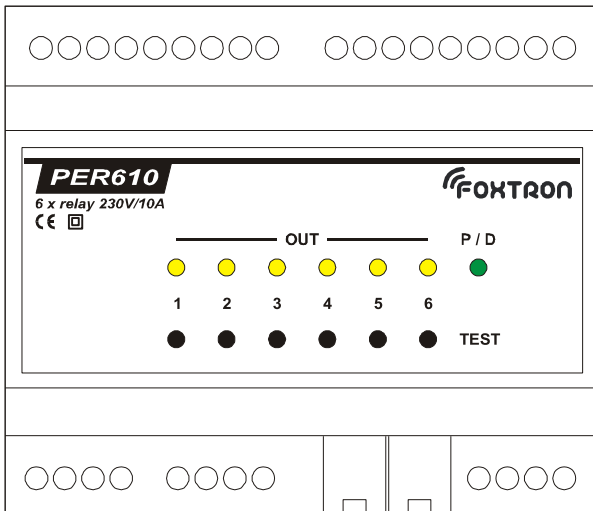


## Relay unit, type PER 610

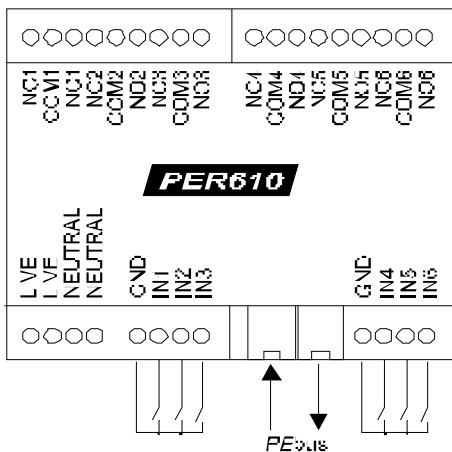


- relay unit for loads 10A
- 6 independent potential free switching outputs
- control by bus *PEXbus* and external press buttons
- test buttons on front panel
- programmable parameters of each relay (response on input, delayed off/on, memory, motor control sequence)
- indication of power supply and outputs
- easy installation
- small dimensions

### Technical specification

<b>Power requirements:</b>	230V / 50/60Hz, 50 mA
<b>Number of regulated outputs:</b>	6
<b>Max. load:</b>	230V/10A each output
<b>Insulation strength:</b>	4 kV between power and control circuits
<b>Ingress protection:</b>	IP20
<b>Control terminals:</b>	For conductors up to $S = 1.5 \text{ mm}^2$
<b>Power supply terminals:</b>	For conductors up to $S = 1.5 \text{ mm}^2$
<b>Output terminals:</b>	For conductors up to $S = 1.5 \text{ mm}^2$
<b>Input/Output <i>PEXbus</i>:</b>	Connector RJ 4p4c
<b>Operating ambient temp.:</b>	0 to 60°C
<b>Storage temperature:</b>	- 20 to 90°C
<b>Weight:</b>	0.5 kg
<b>Dimensions w x h x d:</b>	(106 x 90 x 58) mm (6 modules, 17.5 mm each)

### Terminals connection



NC normally closed  
COM common  
NO normally open

### Typ RJ 4p4c

