

User manual

version 1.2

proLED25



Dimmable voltage/current power supply

Control by DALI, 1-10V or SwitchSet

Adjustable voltage or current output

10V, 12V, 24V, 350mA, 500mA, 700mA

Suitable for LED

Input voltage ~230V / ~110V

Overload / short circuit protection

Technical specification		
Control options	DALI, 1÷10V, SwitchSet	
Way of dimming	PWM (14bits = 16384 dimming steps)	
PWM operating frequency	470	Hz
Supply voltage	220 ÷ 240 / 110 ÷ 120 (50/60Hz)	
Maximum supply current	180	mA
Maximum output voltage – no load	49	V
Wire cross section	0,5 ÷ 1,5	mm ²
Degree of protection	IP20	
Ambient operating temperature	-25 ÷ 50	°C
Storage temperature	-25 ÷ 70	°C
Weight	130	g
Dimension	68x103x22	
		mm

Maximum load	
350mA	15W
500mA	22W @230V, 15W @110V
700mA	25W @230V, 15W @110V
10V	9W
12V	10W
24V	20W @230V, 15W @110V

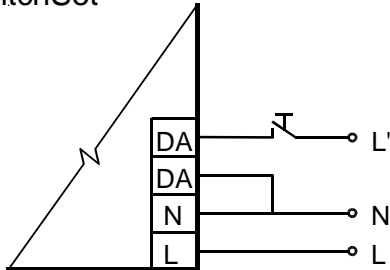
Output mode setting						
output	DIP switches Setting (S1)					
350mA						
500mA						ON
700mA					ON	ON
10V			ON	ON	ON	ON
12V		ON		ON	ON	ON
24V	ON			ON	ON	ON

DIP switches S1 are located underneath the terminal cover

SwitchSet (TouchDim, SwitchDim)

DA terminals have two different applications (it is always possible to use only one option)

- DALI Bus connection
- SwitchSet

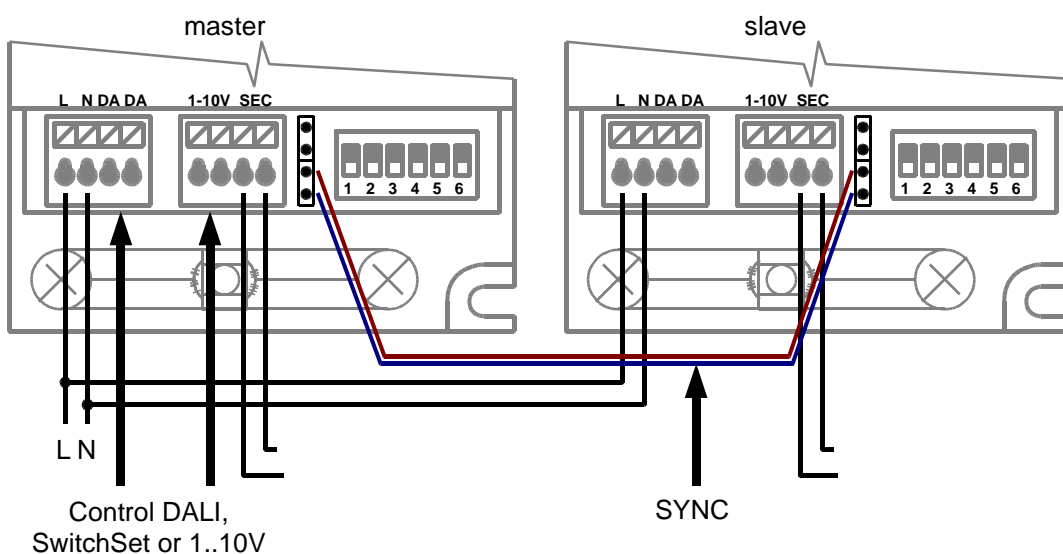


Connecting of the main voltage to the terminals DA by long press of control button (longer than 400ms) causes the light going down (resp. up) to zero (resp. maximum). Down / up alternates at each main voltage connection. After disconnecting the voltage from DA the output remains at the current level.

Short presses of control button (less than 400ms) cause the light going off resp. on to the last level set by long press.

Dimming synchronization feature

In cases where it is necessary (due to the high power of lighting) to use several proLED25 power supplies, which are equally controlled, it is possible to use one controlled supply and other supplies just synchronize with it. The control is connected to one power supply (master supply – on the left). The others (slave supplies – right one) are connected with connectors SYNC. Every power supply has two equal connectors SYNC (JP4, JP5), which allow connection of slave supplies. No other control is connected to the slave supplies.



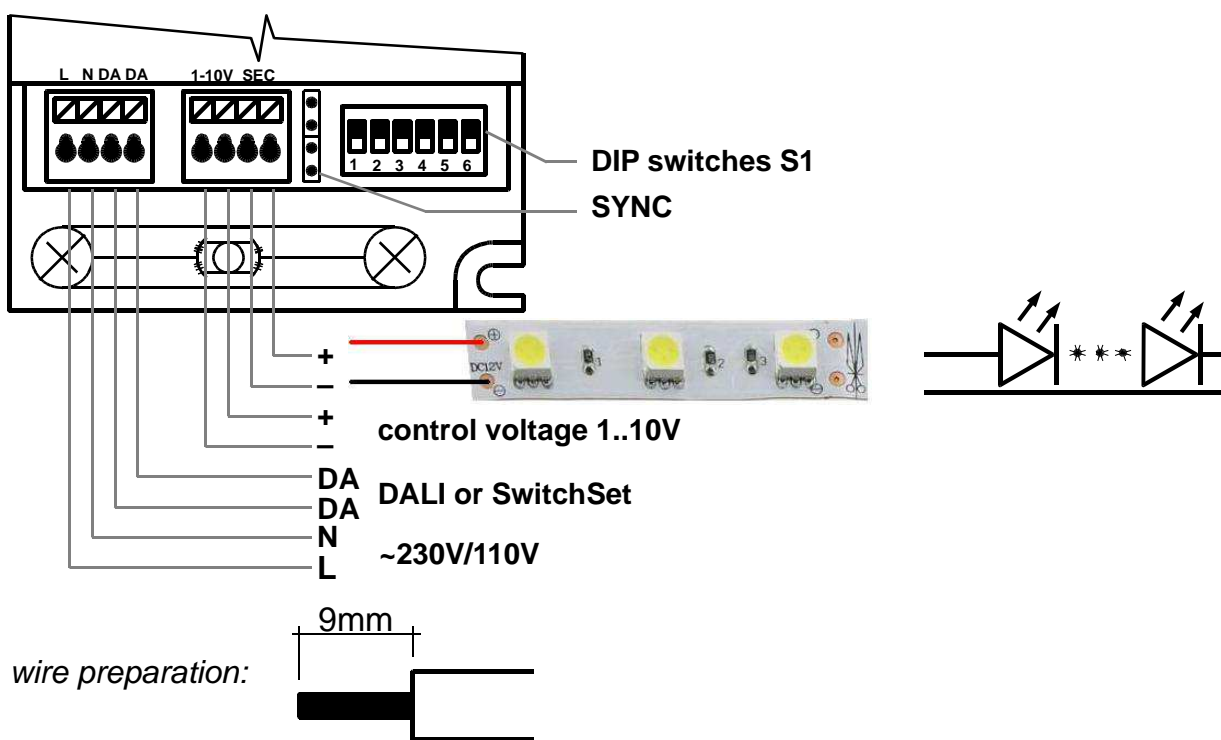
Up to 10 power supplies can be connected by SYNC (1 master + 9 slaves). The maximum length of the sync cable is 1.5 m. Power supplies can have different settings of output mode (different voltages or currents).

Control with voltage 1...10V/ control with potentiometer

Terminals 1..10V have two different applications:

- connection of control voltage 1..10V (input current 0,35mA)
- control potentiometer (100k Ω)

Terminals connection



Dimensions (mm)

