

User manual

version 1.0

DALIpwm15



PWM dimmer

Control by DALI or SwitchSet

Suitable for LED strip dimming

Input voltage 10 – 24V

Maximum load 15A

Output level and malfunction signalization

Communication signalization

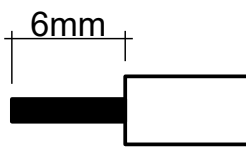
DIN rail installation (2 modules)

Overload / short circuit protection

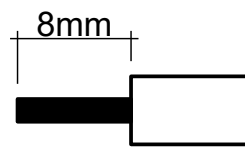
Technical specification		
Control options	DALI, SwitchSet (voltage control ~230V)	
Way of dimming	PWM (distinction 14bit – 16384 dimming steps)	
Operating frequency	500	Hz
Supply voltage	DC 10 – 24	V
Maximum output current	15	A
Wire cross section (DALI)	0,08 – 1,5	mm ²
Wire cross section (power supply, load)	0,2 – 2,5	mm ²
Ingress protection rating	IP20	
Ambient operating temperature	0 ÷ 50	°C
Storage temperature	-10 ÷ 70	°C
Weight	90	g
Galvanic isolation DALI	SELV	

Wire preparation

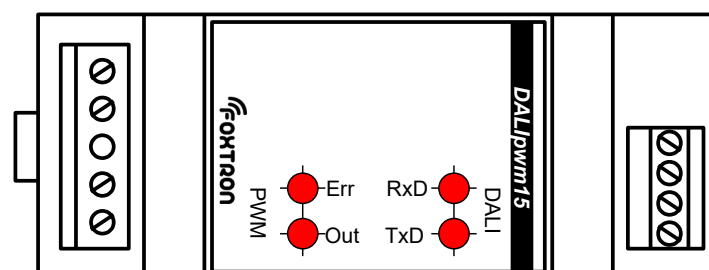
DALI:



Power supply, output

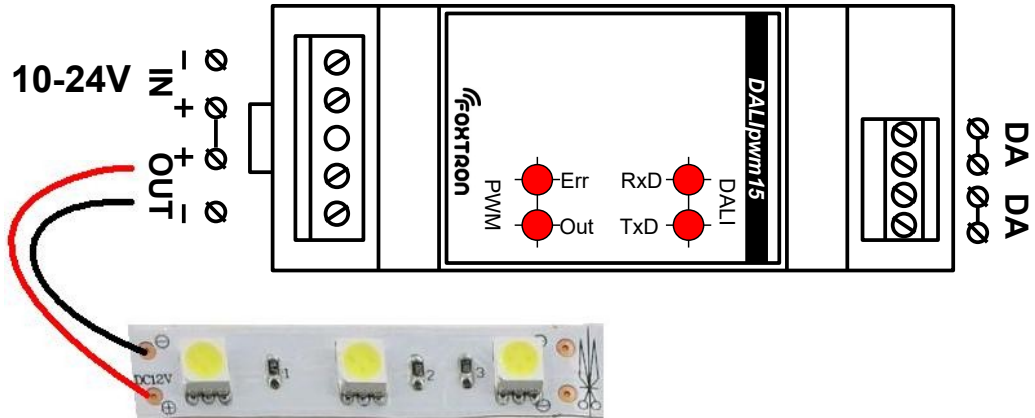


Signalization	
Out	Output level (fluent dimming)
Err	off– correct dimmer function 1 flash – short circuit (overload) on output terminals 2 flashes – undervoltage (lower than 10V) 3 flashes – disconnection of thermal fuse permanent flashing – malfunction of switching element
RxD	Received command on DALI bus
TxD	Sent reply on DALI bus



Terminals connection

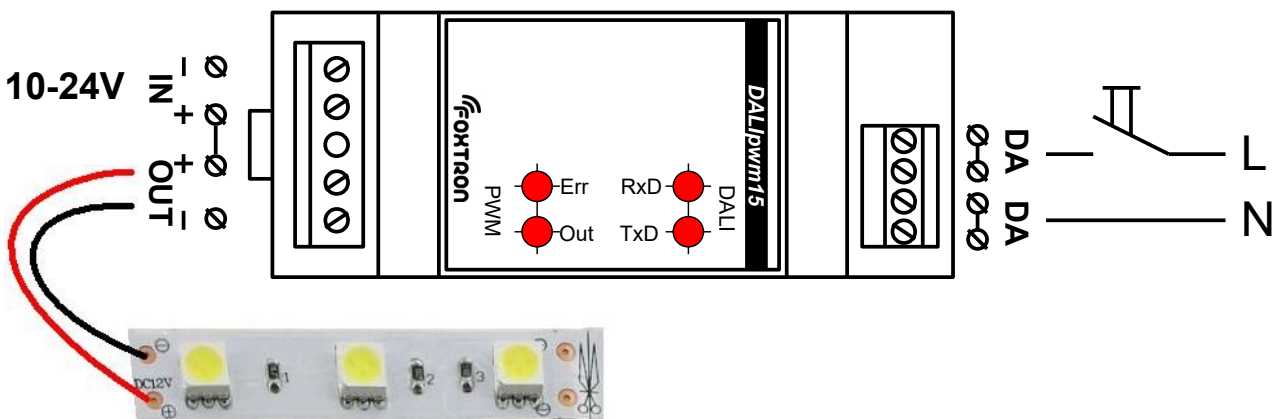
Control by DALI bus



Terminals description

DA	Connection of DALI bus (polarity does not matter)
IN	Voltage 10-24V DC
OUT	output 10-24V with PWM regulation

Control by SwitchSet



Terminals description

DA	control voltage ~230V
IN	Input voltage 10-24V DC
OUT	output 10-24V with PWM regulation

SwitchSet		
Control	Default status	Function description (new status)
Short press	Off	Will switch on to the selected value. Value is selected by long press.
	On	Off
Long press (pressing and holding)	Off	Slowly lighting up. Fade time to maximum value is approx. 3s.
	On	Slowly dimming or lighting up. Dimming or lighting up is alternated with every other long press. Fade time to maximum level is approx. 3s.

Dimensions (mm)

