

# Datasheet

version 1.0

## FTC05PEX



Touch panel for PEX units control

Screen size 5.7"

2x serial port RS-232, 1x RS-485

5 optional screens for scenes control

Adjustable screen for direct control of circuits

Adjustable screen for direct control of blinds

Mounting into panel, under the plaster or on the surface

Technical specification			
bus		PEX	
LCD display	technology	TFT LCD	
	screen	5.7"	
	resolution	320 x 240 (QVGA)	
	Number of colors	65536	
	Viewing angles (horiz/vertik)	160°/140°	
	brightness	800	cd/m <sup>2</sup>
	contrast	800:1	
	backlight	LED	
	Lifetime of backlight	50000	hours
Power supply		18-32 (typicky 24)	V ss
Usual watage		12	W
Maximal current		1	A
touchscreen	technology	resistive	
	lifetime	1 million touches with silicon tip with diameter 8 mm	
connectors	Computer network	Ethernet 10/100Base-T	
	Serial ports	COM1 (RS-232), COM2 (RS-232), COM3 (RS-485)	
	USB port	USB2.0, 1x Host, 1x Client	
	Memory card slot	SDHC	
Connection of serial connector	RS-232	2-Rx, 3-Tx, 5-ground	
	RS-485	1-D-, 2-D+, 5-ground	
	DIP switch is set always the same, type of ports is fixed set		
Ingress protection degree		IP65 front panel	
Connection of serial connector		0 ÷ 50	°C
Connection of serial connector		-20 ÷ 60	°C
weight		0.8	kg
dimensions (width x height x depth)		195 x 148 x 44.4	mm
Dimensions of cut		189 x 142	mm

## Functions

**FTC03PEX** is a touch panel for control of PEX units manufactured by Foxtron company.

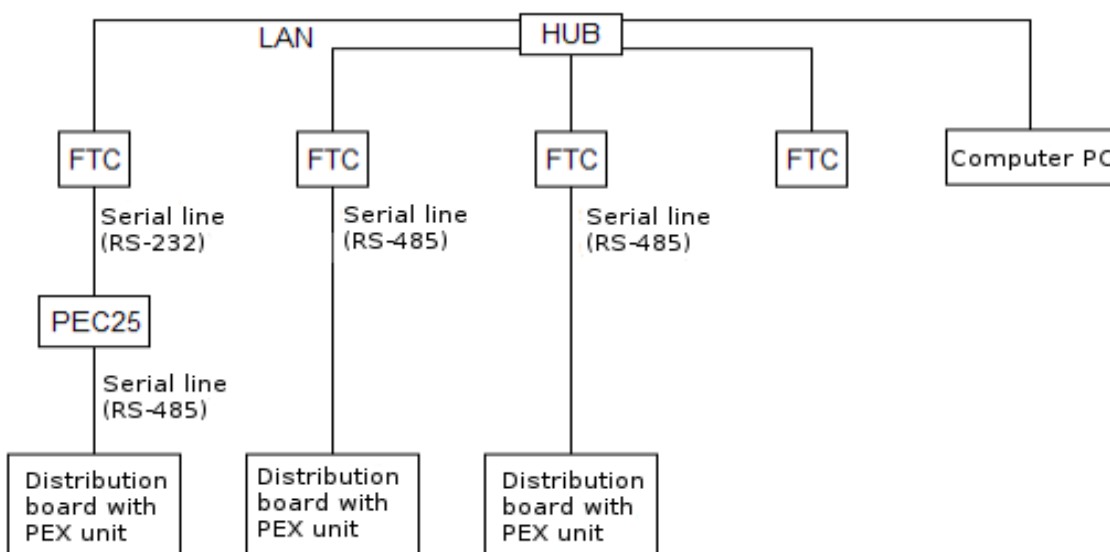
Touch panel allows full user configuration. By PEX system units is possible to control switchable and dimmable circuits (mostly used for lighting control). Another possibility is to control blinds which are in special subgroup of switchable circuits.

Each circuits (dimmable, switchable and blinds) can be directly controlled in the screens for direct control of light and blind circuits. Those screens allows to show and diagnose malfunction of those circuits.

Each circuits can be furthermore controlled as a bulk by scenes. Scenes can be induced by button on any of the five screens, automatically on time, by dusk or dawn and by switching off another circuit. Scenes are possible to concatenate and cycle. Also their induction can be affected by state of some circuit.

Touch panels can be connected to the computer network and from one touch panel can be controlled scenes which belongs to the other touch panel connected to the network. Control program can be also installed separately on PC with Windows operational system which can be connected also in the network as one control unit.

Schematic connection of the FTC panels in the computer network and to the PEX bus is on following picture:



Dimensions (in mm)

