

Datasheet

version 1.0

FTC10DALI



Touch panel for DALI units control

Screen size 10.1"

2x serial port RS-232, 1x RS-485; to RS-232 is connected DALI232 converter

5 optional screens for scenes control

Inducing DALI scenes, possible sequence of DALI scenes

Adjustable screen for direct control of DALI circuits and DALI groups

Multiple languages

Mounting into panel, under the plaster or on the surface

Technical specification				
bus			DALI/PEX	
LCD display	technology		TFT LCD	
	screen		10.1"	
	resolution		1280 x 800	
	Number of colors		16.7 mil.	
	Viewing angles (horiz/vertik)		170°/170°	
	brightness		350	cd/m ²
	backlight		LED	
	Lifetime of backlight		50000	hours
Power supply			12	V DC
Usual watage			10	W
Maximal current			3	A
touchscreen	technology		capacitive	
	lifetime		1 million touch	
connectors	Computer network		Ethernet 10/100/1000	
	Serial ports		COM1 (RS-232/RS-422/RS-485) COM2 (RS-232/)	
	USB ports		USB2.0, USB3.0	
	Video output		VGA	
	Audio input/output		Line-out 1x, Mic-in 1x	
Connection of serial cable	RS-232	Pin connection	2-Rx, 3-Tx, 5-gnd, 4-DTR	
		DIP setup	1,2,6 - On, 3,4,5 - Off	
	RS-422	Pin connection	1-Tx-,2-Tx+,3-Rx+,4-Rx-,5-gnd	
		DIP setup	3,5- On, 1,2,4,6 - Off	
	RS-485	Pin connection	1-D-, 2-D+, 5-gnd	
		DIP setup	3,5,6- On, 1,2,4 - Off	
Speaker			1 x 2W	
Ingress protection			IP65 front panel	
Ambient working temperature			0 ÷ 40	°C

Technical specification		
Storage temperature	-10 ÷ 60	°C
weight	1.8	kg
dimensions (width x height x depth)	265.4 x 182.4 x 39.55	mm
Dimensions of cut	255 x 170	mm

FTC10DALI is a touch panel for control of DALI units manufactured by Foxtron company. Connection to the DALI bus is done by **DALI232** unit manufactured by Foxtron company.

Touch panel allows full user configuration. By DALI system units is possible to control switchable and dimmable circuits (mostly used for lighting control). Another possibility is to control blinds which are in special subgroup of switchable circuits.

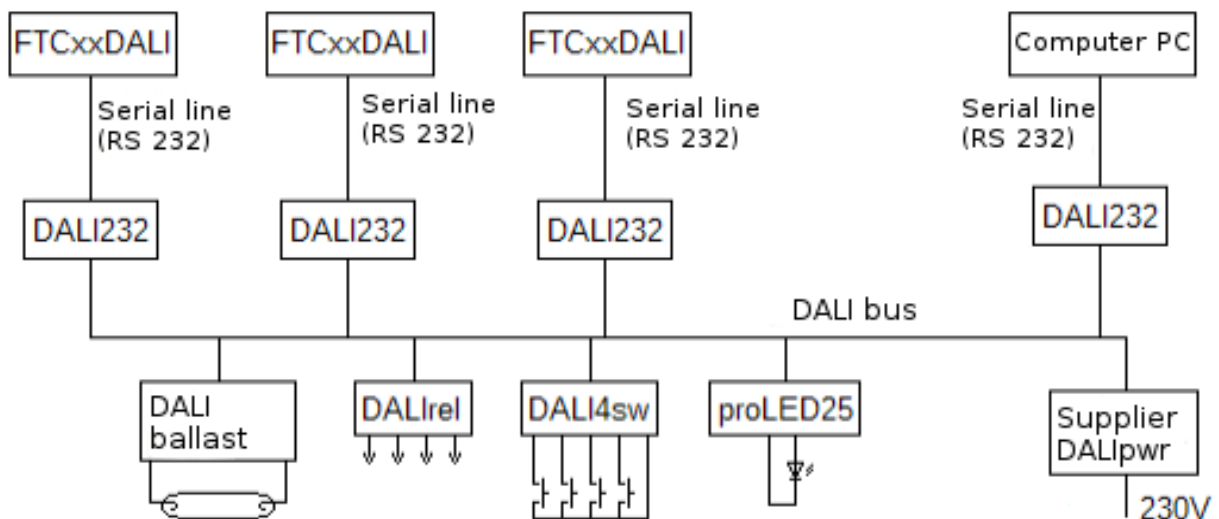
Each circuits (dimmable, switchable and blinds) can be directly controlled in the screens for direct control of light and blind circuits. Those screens allows to show and diagnose malfunction of those circuits.

Each circuits can be furthermore controlled as a bulk by scenes. Scenes can be induced by button on any of the five screens, automatically on time, by dusk or dawn and by switching off another circuit. Scenes are possible to concatenate and cycle. Also their induction can be affected by state of some circuit.

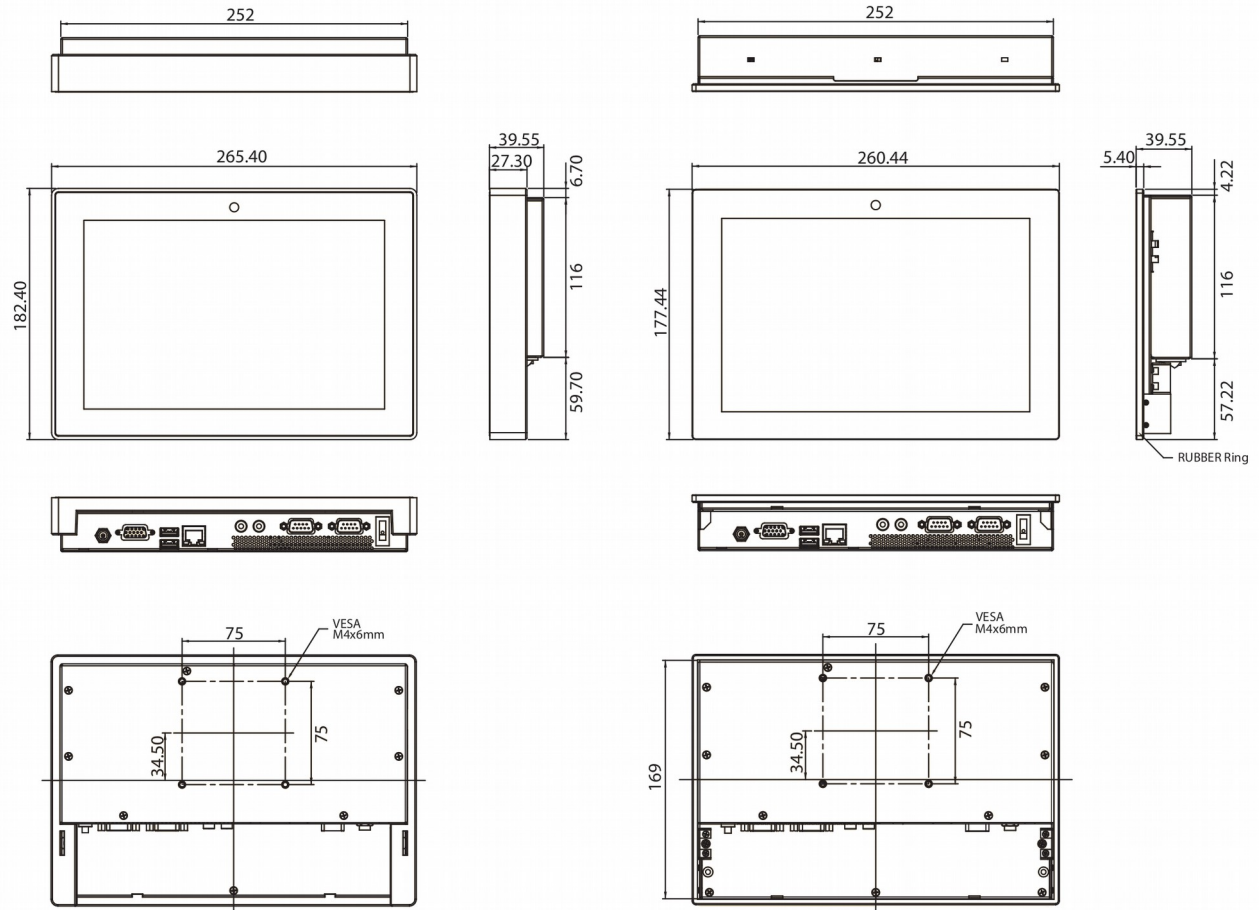
Touch panels can be connected to the computer network and from one touch panel can be controlled scenes which belongs to the other touch panel connected to the network. Control program can be also installed separately on PC with Windows operational system which can be connected also in the network as one control unit.

Touch panels in Basic version can be connect through the DALI bus so one panel can see activity of another and see for example last induced scene. Control program of touch panel can be installed separately in computer with Windows operation system and it can be also connected to the DALI bus as one of the control unit.

Schematic connection of the FTC panels in the computer network and to the DALI bus is on following picture:



Dimensions (in mm)





tel: +420 274 772 527
e-mail: info@foxtron.cz
web: www.foxtron.cz